



Mini-Horns

The SpectrAlert® Advance series of mini-horn sounders are designed to simplify installations to provide primary and secondary signaling for fire and security applications.



SPECTRAlert
ADVANCE
from System Sensor

Features

- 12 and 24V operation
- High and low volume settings
- Temporal and non-temporal tones
- Mounts to single gang back box
- Low current draw
- Accelerated silence test feature on silencable models
- Mechanically and electrically compatible with PA400 series Mini-Alert™ sounders

The MHR and MHW mini-horns are ideal for residential, hotel or motel fire system applications, where a smaller notification device is desired. The mini-horns come in versions that offer high and low volume settings, temporal or non-temporal tones, synchronization and silencing to meet the intent of the National Building Code Section 3.2.4.18.9. The mini-horns can be mounted to single gang back boxes for aesthetically sensitive applications. Synchronization is provided on certain models when using the MDLA module. Mini-horns with silencing have an accelerated silence test feature which allows testing of the silence operation without waiting for the entire time-out period.

The MHR and MHW mini-horns can operate between 0 to 49C (32 to 120F) from a regulated DC or full-wave rectified, unfiltered power supply. They are listed to Underwriter's Laboratories of Canada CAN/ULC S525.

Agency Listings



SpectrAlert® Advance Mini-Horn Specifications

Architectural/Engineering Specifications

MHRZA/MHWZA

Mini-horns shall be a System Sensor Model MHRZA or MHWZA capable of operating at nominal 12 or 24VDC and shall mount to a single gang back box. Mini-horn shall be listed to Underwriter's Laboratories of Canada CAN/ULC S525. Mini-horns shall operate between 0 and 49 degrees Celsius (32 and 120 degrees Fahrenheit) from a regulated DC, or full-wave rectified, unfiltered power supply. When used with the Sync•Circuit™ Module Model MDLA, 12-volt rated notification appliance circuit outputs shall operate between 9 and 17.5 volts; 24-volt rated notification appliance circuit outputs shall operate between 16 and 33 volts. Mini-horns shall have settings for Hi/Low volume and temporal/continuous tones. A Silence feature shall be included to allow silencing of the mini-horn to meet the intent of the National Building Code Section 3.2.4.18.9. Mini-horns shall have the ability of an accelerated silence test feature and shall be able to operate from either continuous or coded NAC circuits.

MHRA/MHWA

Mini-horns shall be a System Sensor Model MHRA or MHWA capable of operating at nominal 12 or 24VDC and shall mount to a single gang back box. Mini-horn shall be listed to Underwriter's Laboratories of Canada CAN/ULC S525. Mini-horns shall operate between 0 and 49 degrees Celsius (32 and 120 degrees Fahrenheit) from a regulated DC, or full-wave rectified, unfiltered power supply. When used with the Sync•Circuit™ Module Model MDLA, 12-volt rated notification appliance circuit outputs shall operate between 9 and 17.5 volts; 24-volt rated notification appliance circuit outputs shall operate between 16 and 33 volts. Mini-horns shall have settings for Hi/Low volume and temporal/continuous tones. Mini-horns shall be able to operate from either continuous or coded NAC circuits.

MHW1A

Mini-horns shall be a System Sensor Model MHW1A capable of operating at nominal 12 or 24VDC and shall mount to a single gang back box. Mini-horn shall be listed to Underwriter's Laboratories of Canada CAN/ULC S525. Mini-horns shall operate between 0 and 49 degrees Celsius (32 and 120 degrees Fahrenheit) from a regulated DC, or full-wave rectified, unfiltered power supply. Mini-horns shall be able to operate from either continuous or coded NAC circuits.

Physical Specifications

Dimensions	See Mechanical Drawing
Weight	2.67 oz.
Operating Temperature Range	0°C to 49°C (32°F to 120°F)
Mounting	Single-gang

Electrical Specifications

Input Terminals	12 to 18 AWG
Nominal Voltage	Regulated 12VFWR, special application 12VDC, regulated 24DC/FWR
Operating Voltage	8-33VFWR, 9.5-33VDC (MHRZA/MHWZA 16-33VFWR/DC)
Operating Voltage with MDLA	9-33VFWR, 9.5-33VDC
Sounder Frequency	3 KHZ(nominal)
Silence Time (MHRZA/MHWZA)	10 minutes max.
Silence Reset	4 seconds TYP.
Power down Time (MHRZA/MHWZA)	

Sound Output (dBA) in Anechoic Room

MHW1A

Tone	Power Supply	12V	24V
Continuous	DC	87.9	92.9
	FWR	90.5	91.9

MHRA/MHWA

Switch Position	Sound Pattern	Volume	Power Supply	Voltage	
				12	24
1	Temporal	High	DC	87.1	91.8
			FWR	90.8	91.7
2	Temporal	Low	DC	86	90
			FWR	90	90
3	Non-Temporal	High	DC	87	91
			FWR	89	91
4	Non-Temporal	Low	DC	86	90
			FWR	88	90

MHRZA/MHWZA

Switch Position	Sound Pattern	Volume	Power Supply	Voltage
				24
1	Temporal	High	DC	91.8
			FWR	92
2	Temporal	Low	DC	89
			FWR	89
3	Non-Temporal	High	DC	90
			FWR	89
4	Non-Temporal	Low	DC	87
			FWR	86

Current Draw (mA RMS)

MHW1A

Tone	Power Supply	12V	24V
Continuous	DC	11.5	19.8
	FWR	11.4	17.6

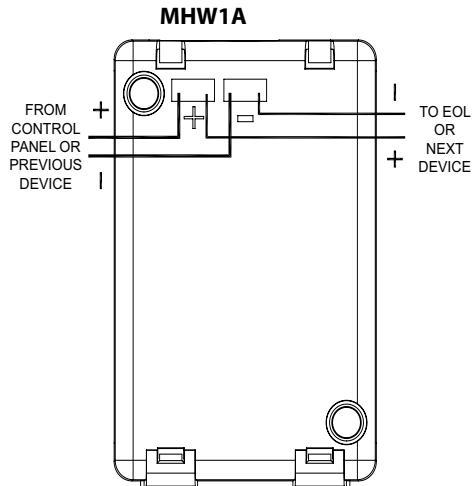
MHRA/MHWA

Switch Position	Sound Pattern	Volume	Power Supply	Voltage	
				12	24
1	Temporal	High	DC	12.6	22.1
			FWR	15.0	23.0
2	Temporal	Low	DC	10.3	16.6
			FWR	12.1	18.8
3	Non-Temporal	High	DC	13.6	23.0
			FWR	14.6	21.8
4	Non-Temporal	Low	DC	10.2	16.6
			FWR	12.1	18.8

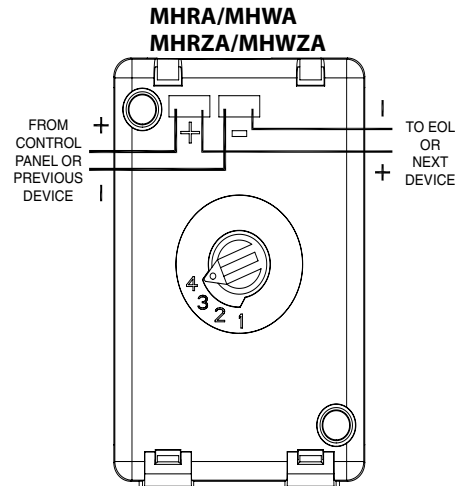
MHRZA/MHWZA

Switch Position	Sound Pattern	Volume	Power Supply	Voltage
				24
1	Temporal	High	DC	24.1
			FWR	24.3
2	Temporal	Low	DC	18.2
			FWR	20.8
3	Non-Temporal	High	DC	24.4
			FWR	23.8
4	Non-Temporal	Low	DC	18.2
			FWR	20.5

Wiring Diagrams

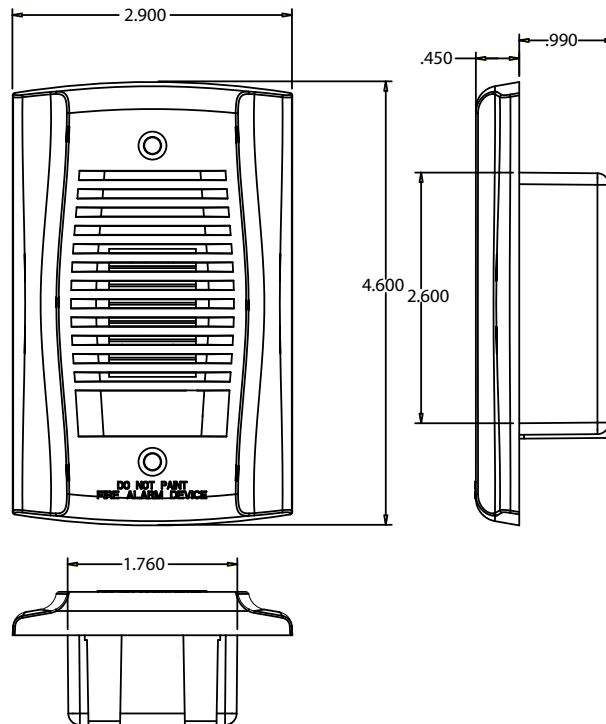


NOTE: SHOWN WITH CONTROL PANEL IN ALARM. PANEL POLARITY REVERSED IN SUPERVISORY CONDITION.



NOTE: SHOWN WITH CONTROL PANEL IN ALARM. PANEL POLARITY REVERSED IN SUPERVISORY CONDITION.

Mechanical Drawing



Ordering Information

Part No.	Description
MHW1A	Mini-Horn, White
MHRA	Mini-Horn, Red, Selectable Tone and Volume, Synchronizable
MHWA	Mini-Horn, White, Selectable Tone and Volume, Synchronizable
MHRZA	Mini-Horn, Red, Silencable, Selectable Tone and Volume, Synchronizable
MHWZA	Mini-Horn, White, Silencable, Selectable Tone and Volume, Synchronizable



6-6581 Kitimat Road • Mississauga ON, L5N 3T5
Phone: 800-SENSOR2 • www.systemsensor.ca

©2015 System Sensor.
Product specifications subject to change without notice. Visit www.systemsensor.ca for current product information, including the latest version of this data sheet.
A05-0414-002